

WRANGLER



OWNER'S MANUAL

Pride[®]
Mobility Products Corp.
www.pridemobility.com

1-800-800-8586 (US) 1-888-570-1113 (Canada)

SAFETY GUIDELINES



WARNING! An authorized Pride Provider or qualified technician must perform the initial setup of this PMV and must perform all of the procedures in this manual.

The symbols below are used throughout this owner's manual and on the PMV to identify warnings and important information. It is very important for you to read them and understand them completely.



WARNING! Indicates a potentially hazardous condition/situation. Failure to follow designated procedures can cause either personal injury, component damage, or malfunction. On the product, this icon is represented as a black symbol on a yellow triangle with a black border.



MANDATORY! These actions should be performed as specified. Failure to perform mandatory actions can cause personal injury and/or equipment damage. On the product, this icon is represented as a white symbol on a blue dot with a white border.



PROHIBITED! These actions are prohibited. These actions should not be performed at any time or in any circumstances. Performing a prohibited action can cause personal injury and/or equipment damage. On the product, this icon is represented as a black symbol with a red circle and a red slash.

INTENDED USE

The intended use of the Pride Mobility Products device is to provide mobility to persons limited to a seated position that have the capability of operating a scooter.

Please fill out the following information for quick reference:

Pride Provider:	_____
Address:	_____
Phone Number:	_____
Purchase Date:	_____
Serial Number:	_____

NOTE: This owner's manual is compiled from the latest specifications and product information available at the time of publication. We reserve the right to make changes as they become necessary. Any changes to our products may cause slight variations between the illustrations and explanations in this manual and the product you have purchased. The latest/current version of this manual is available on our website.



CONTENTS

I. INTRODUCTION	4
II. SAFETY	5
III. YOUR PMV	19
IV. BATTERIES AND CHARGING	23
V. OPERATION	28
VI. COMFORT ADJUSTMENTS	30
VII. DISASSEMBLY AND ASSEMBLY	33
VIII. BASIC TROUBLESHOOTING	34
IX. CARE AND MAINTENANCE	35
APPENDIX I – SPECIFICATIONS	38

I. INTRODUCTION

SAFETY

Welcome to Pride Mobility Products Corporation (Pride). The Personal Mobility Vehicle (PMV) you have purchased combines state-of-the-art components with **safety**, comfort, and styling in mind. We are confident the design features will provide you with the conveniences you expect during your daily activities. Understanding how to **safely** operate and care for this PMV should bring you years of trouble-free operation and service.

Read and follow all instructions, warnings, and notes in this manual and all other accompanying literature before attempting to operate this product for the first time. In addition, your **safety** depends upon you, as well as your provider, caretaker, or healthcare professional in using good judgement.

If there is any information in this manual which you do not understand, or if you require additional assistance for setup or operation, please contact your authorized Pride Provider. **Failure to follow the instructions, warnings, and notes in this manual and those located on your PMV can result in personal injury or product damage and will void Pride's product warranty.**

PURCHASER'S AGREEMENT

By accepting delivery of this product, you promise that you will not change, alter, or modify this product or remove or render inoperable or unsafe any guards, shields, or other safety features of this product; fail, refuse, or neglect to install any retrofit kits from time to time provided by Pride to enhance or preserve the safe use of this product.

SHIPPING AND DELIVERY

Before using your PMV, make sure your delivery is complete as some components may be individually packaged. If you do not receive a complete delivery, please contact your authorized Pride Provider immediately. Where damage has occurred during transport, either to the packaging or content, please contact the delivery company responsible.

INFORMATION EXCHANGE

We want to hear your questions, comments, and suggestions about this manual. We would also like to hear about the safety and reliability of your new PMV, and about the service you received from your authorized Pride Provider. Please notify us of any change of address, so we can keep you apprised of important information about safety, new products, and new options that can increase your ability to use and enjoy your PMV. Please feel free to contact us at the address below:

USA:

Pride Mobility Products Corporation
Attn.: Customer Care Department
182 Susquehanna Avenue
Exeter, PA 18643-2694
customer care@pridemobility.com
1-800-424-8205

Canada:

Pride Mobility Products Company
380 Vansickle Road Unit 350
St. Catharines, Ontario L2R 6P7
1-888-570-1113

NOTE: If you ever lose or misplace your product registration card or your copy of this manual, contact us and we will be glad to send you a new one immediately.

II. SAFETY

PRODUCT SAFETY SYMBOLS

The symbols below are used on the PMV to identify warnings, mandatory actions, and prohibited actions. It is very important for you to read and understand them completely.



Pinch/Crush points created during assembly.



Corrosive chemicals contained in battery.



EMI-RFI- This product has been tested and passed at an immunity level of 20 V/m.



Do not lift the mobility vehicle while seated in it.



Do not lift the mobility vehicle while seated in it.



Explosive conditions exist!



Read and follow the information in the owner's manual.

II. SAFETY



Maximum seating weight.



Do not place PMV in freewheel mode on a decline.



Do not place PMV in freewheel mode on an incline.



Wear safety goggles.



Use only AGM or Gel-Cell batteries to reduce the risk of leakage or explosive conditions.



Do not remove anti-tip wheels.



Do not use a cell phone, walkie/talkie, laptop, or other radio transmitter while operating.

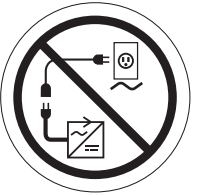
II. SAFETY



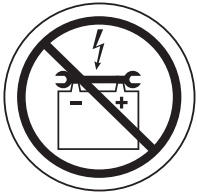
Avoid exposure to rain, snow, ice, salt, or standing water whenever possible. Maintain and store in a clean and dry condition.



Removal of grounding prong can create electrical hazard. If necessary, properly install an approved 3-pronged adapter to an electrical outlet having 2-pronged plug access.



Do not connect an extension cord to the AC/DC converter or the battery charger.



Keep tools and other metal objects away from battery terminals. Contact with tools can cause electrical shock.



Do not allow unsupervised children to play near the PMV while the batteries are charging.



Do not use batteries with different amp-hour (Ah) capacities. Do not mix old and new batteries. Always replace both batteries at the same time.



Keep your hands away from the tires when driving. Be aware that loose fitting clothing can become caught in drive tires.

II. SAFETY



Battery charger for indoor use only.



Disposal and recycling - Contact your authorized Pride Provider for information on proper disposal and recycling of your Pride product and its packaging.



Contains Lead.

II. SAFETY

GENERAL



WARNING! Do not operate your new PMV for the first time without completely reading and understanding this owner's manual.

Your PMV is a state-of-the-art life-enhancement device designed to increase mobility. Pride provides an extensive variety of products to best fit the individual needs of the PMV user. Please be aware that the final selection and purchasing decision regarding the type of PMV to be used is the responsibility of the PMV user who is capable of making such a decision and his/her healthcare professional (i.e., medical doctor, physical therapist, etc.).

The contents of this manual are based on the expectation that a mobility device expert has properly fitted the PMV to the user and has assisted the prescribing healthcare professional and/or the authorized Pride Provider in the instruction process for the use of the product.

There are certain situations, including some medical conditions, where the PMV user will need to practice operating the PMV in the presence of a trained attendant. A trained attendant can be defined as a family member or care professional specially trained in assisting a PMV user in various daily-living activities.

As you begin using your PMV during daily activities, you will probably encounter situations in which you will need some practice. Simply take your time and you will soon be in full and confident control as you maneuver through doorways, on and off lifts, up and down ramps, and over moderate terrain.

Below are some precautions, tips, and other safety considerations that will help the user become accustomed to operating the PMV safely.

MODIFICATIONS

Pride has designed and engineered your PMV to provide maximum mobility and utility. A wide range of accessories are available from your authorized Pride Provider to further customize your PMV to better suit your needs and/or preferences. However, under no circumstances should you modify, add, remove, or disable any feature, part, or function of your PMV.



WARNING! Do not modify your PMV in any way not authorized by Pride. Do not use accessories if they have not been tested or approved for Pride Products.

REMOVABLE PARTS



WARNING! Do not attempt to lift or move your PMV by any of its removable parts, including the armrests, seat, or shroud.

PRE-RIDE SAFETY CHECK

Get to know the feel of your PMV and its capabilities. Pride recommends that you perform a safety check before each use to make sure your PMV operates smoothly and safely.

II. SAFETY

Perform the following inspections prior to using your PMV:

- Check for proper tire inflation. Maintain but do not exceed the psi/bar/kPa air pressure rating indicated on each tire if equipped with pneumatic tires.
- Check all electrical connections. Make sure they are tight and not corroded.
- Check all harness connections. Make sure they are secured properly.
- Check the brakes.
- Check battery charge.

If you discover a problem, contact your authorized Pride Provider for assistance.

TIRE INFLATION

If your PMV is equipped with pneumatic tires, you should check or have the air pressure checked at least once a week. Proper inflation pressures will prolong the life of your tires and help ensure the smooth operation of your PMV.



WARNING! It is critically important that the psi/bar/kPa air pressure rating indicated on the tire be maintained in pneumatic tires at all times. Do not underinflate or overinflate your tires. Low pressure may result in loss of control, and overinflated tires may burst. Failure to maintain the psi/bar/kPa air pressure rating indicated on pneumatic tires at all times may result in tire and/or wheel failure.

WARNING! Inflate your PMV tires from a regulated air source with an available pressure gauge. Inflating your tires from an unregulated air source could overinflate them, resulting in a burst tire.

NOTE: If the tires on your PMV list the psi rating only, use the following conversion formulas to find the bar or kPa rating: $bar = psi \times 0.06895$; $kPa = psi \times 6.89476$.

WEIGHT LIMITATIONS

Your PMV is rated for a maximum weight capacity. Refer to the specifications table for information.



MANDATORY! Stay within the specified weight capacity for your PMV. Exceeding the weight capacity voids your warranty. Pride will not be held responsible for injuries and/or property damage resulting from failure to observe weight limitations.



WARNING! Do not carry passengers on your PMV. Carrying passengers on your PMV may affect the center of gravity, resulting in a tip or fall.

INCLINE INFORMATION

More and more buildings have ramps with specified degrees of inclination, designed for easy and safe access. Some ramps may have turning switchbacks (180-degree turns) that require you to have good cornering skills on your PMV.

- Proceed with extreme caution as you approach the downgrade of a ramp or other incline.
- Take wide swings with your PMV around any tight corners. If you do that, the PMV's rear wheels will follow a wide arc, not cut the corner short, and not bump into or get hung up on any railing corners.
- When driving down a ramp, keep the PMV's speed adjustment set to the slowest speed setting to ensure a safely controlled descent.
- Avoid sudden stops and starts.

II. SAFETY

When climbing an incline, try to keep your PMV moving. If you must stop, start up again slowly, and then accelerate cautiously. When driving down an incline, do so by setting the speed adjustment dial to the slowest setting and driving in the forward direction only. If your PMV starts to move down the incline faster than you anticipated or desired, allow it to come to a complete stop by releasing the throttle control lever. Then push the throttle control lever forward slightly to ensure a safely controlled descent.



WARNING! When on any sort of an incline or decline, never place the PMV in freewheel mode, especially while seated on it or standing next to it.

WARNING! When climbing an incline, do not zigzag or drive at an angle up the face of the incline. Drive your PMV straight up the incline. This greatly reduces the possibility of a tip or a fall. Always exercise extreme caution when negotiating an incline.

WARNING! Do not drive your PMV across the side of an incline or diagonally up or down an incline; do not stop, if possible, while driving up or down an incline.



WARNING! You should not travel up or down a potentially hazardous incline (i.e., areas covered with snow, ice, cut grass, or wet leaves).

WARNING! Even though your PMV is capable of climbing slopes greater than those listed in the product specifications, do not, under any circumstances, exceed the incline guidelines or any other specifications presented in this manual. Doing so could cause instability in your PMV.

Handicap public access ramps are not subject to government regulation in all countries, and therefore do not necessarily share the same standard percent of slope. Other inclines may be natural or, if man-made, not designed specifically for PMVs.

These tests were conducted with the PMV's seat in the highest position and adjusted rearward on the seat base to its farthest rearward position. Use the specification information as a guideline. Your PMV's ability to travel up inclines is affected by your weight, your PMV's speed, your angle of approach to the incline, and your PMV setup.



WARNING! Any attempt to climb or descend a slope steeper than what is listed in the product specifications may put your PMV in an unstable position and cause it to tip.

WARNING! Never carry an oxygen tank weighing more than 15 lbs. (6.8 kg). Never fill the rear basket with contents exceeding 15 lbs. (6.8 kg).

II. SAFETY

When you approach an incline, it is best to lean forward. See **figures 1 and 2**. This shifts the center of gravity of you and your PMV toward the front of the PMV for improved stability.

NOTE: When negotiating ramps, if the throttle control lever is released while moving forward, the powered PMV may "roll back" approximately 1 foot (30.48 cm) before the brake engages. If the throttle control lever is released while moving in reverse, the powered PMV may "roll back" approximately 3 feet (1 meter) before the brake engages.



Figure 1. Normal Driving Position



Figure 2. Increased Stability Driving Position

CORNERING INFORMATION

Excessively high cornering speeds can create the possibility of tipping. Factors which affect the possibility of tipping include, but are not limited to, cornering speed, steering angle (how sharply you are turning), uneven road surfaces, inclined road surfaces, riding from an area of low traction to an area of high traction (such as passing from a grassy area to a paved area—especially at high speed while turning), and abrupt directional changes. High cornering speeds are not recommended. If you feel that you may tip over in a corner, reduce your speed and steering angle (i.e., lessen the sharpness of the turn) to prevent your PMV from tipping.



WARNING! When cornering sharply, reduce your speed and maintain a stable center of gravity. When using your PMV at higher speeds, do not corner sharply. This greatly reduces the possibility of a tip or fall. Always exercise extreme common sense when cornering.

BRAKING INFORMATION

Your PMV is equipped with two powerful brake systems:

- Regenerative: Uses electricity to rapidly slow the vehicle when the throttle control lever returns to the center/stop position.
- Disc Park Brake: Activates mechanically after regenerative braking slows the vehicle to near stop, or when power is removed from the system for any reason.

II. SAFETY

OUTDOOR DRIVING SURFACES

Your PMV is designed to provide optimum stability under normal driving conditions - dry, level surfaces composed of concrete, blacktop, or asphalt. However, Pride recognizes that there will be times when you will encounter other surface types. For this reason, your PMV is designed to perform admirably on packed soil, grass, and gravel. Feel free to use your PMV safely on lawns and in park areas.

- Reduce your PMV's speed when driving on uneven terrain and/or soft surfaces.
- Avoid tall grass that can become tangled in the running gear.
- Avoid loosely packed gravel and sand.
- If you feel unsure about a driving surface, avoid that surface.

STREETS AND ROADWAYS



WARNING! You should not operate your PMV on public streets and roadways. Be aware that it may be difficult for traffic to see you when you are seated on your PMV. Obey all local pedestrian traffic rules. Wait until your path is clear of traffic, and then proceed with extreme caution.

STATIONARY OBSTACLES (STEPS, CURBS, ETC.)

WARNING! Do not drive near raised surfaces, unprotected ledges, and/or drop-offs (curbs, porches, stairs, etc.).

WARNING! Do not attempt to have your PMV climb or descend an obstacle that is inordinately high.



WARNING! Do not attempt to have your PMV proceed backward down any step, curb, or other obstacle. This may cause the PMV to tip.

WARNING! Be sure your PMV is traveling perpendicular to any curb you may be required to ascend or descend. See figures 3 and 4.

WARNING! Do not attempt to negotiate a curb that has a height greater than 2 in. (5 cm).

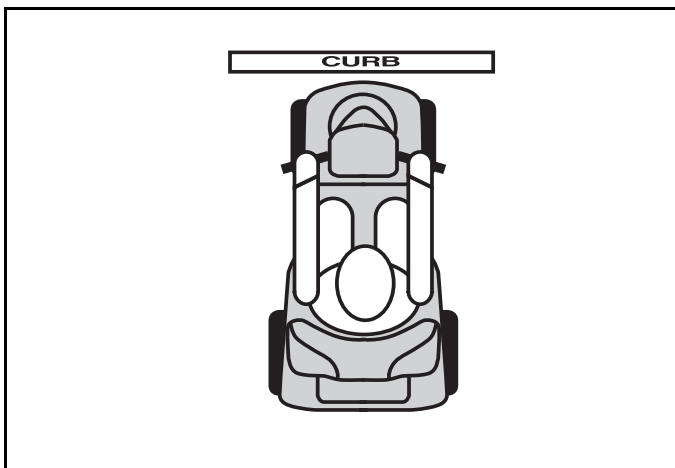


Figure 3. Correct Curb Approach

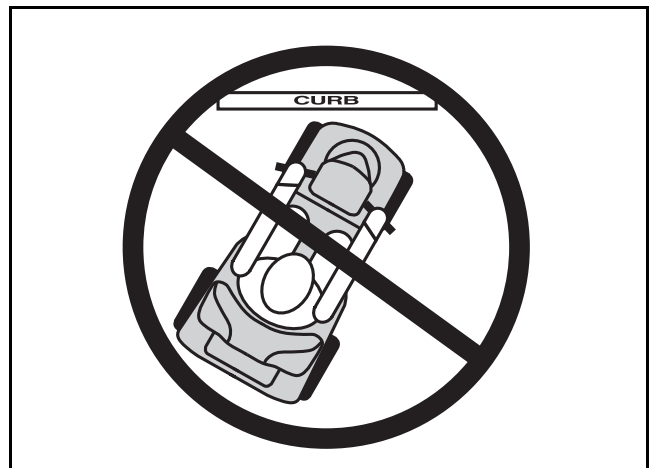


Figure 4. Incorrect Curb Approach

II. SAFETY

INCLEMENT WEATHER PRECAUTIONS

Exposure of your PMV to inclement weather conditions should be avoided whenever possible. If suddenly caught up in rain, snow, severe cold or heat while operating your PMV, proceed to shelter at the earliest opportunity. Thoroughly dry your PMV before storing, charging, or operating your PMV.



PROHIBITED! Operating in rain, snow, salt, mist/spray conditions, and on icy/slippery surfaces can cause damage to the PMV and electrical system. Maintain and store your PMV in a dry and clean condition.



WARNING! Prolonged exposure to hot or cold conditions may affect the temperature of upholstered and non-upholstered items on the PMV, possibly resulting in skin irritation. Exercise caution when using your PMV in extremely hot or cold conditions or when exposing your PMV to direct sunlight for prolonged periods of time.

FREEWHEEL MODE

Your PMV is equipped with manual freewheel levers that, when pushed down, allow the PMV to be pushed. For more information about how to place your PMV into and out of freewheel mode, see III. “Your PMV.”



WARNING! When your PMV is in freewheel mode, the braking system is disengaged.

- **Disengage the drive motors only on a level surface.**
- **Ensure the key is removed from the key switch.**
- **Stand to the side of the PMV to engage or disengage freewheel mode. Never sit on a PMV to do this.**
- **After you have finished pushing your PMV, always return it to the drive mode to lock the brakes.**

An added feature built into the PMV is “**push-too-fast**” protection, which safeguards the PMV against gaining excessive speed while in freewheel mode.

“Push-too-fast” operates differently depending on which of two conditions exists:

- If the key is switched “off” while in freewheel mode, the PMV’s controller activates regenerative braking when the PMV is pushed faster than a maximum threshold which has been preprogrammed. In this case, the controller is acting as a speed governor.
- If the key is switched “on” while in freewheel mode, you will encounter considerable resistance at any speed. This prevents the PMV from gaining unwanted momentum should the manual freewheel lever inadvertently be released while driving the PMV.

STAIRS AND ESCALATORS

PMVs are not designed to travel up or down stairs or escalators. Always use an elevator.



WARNING! Do not use your PMV to negotiate steps or escalators.

DOORS

- Determine if the door opens toward or away from you.
- Use your hand to turn the knob or push the handle or push-bar.
- Drive your PMV gently and slowly forward to push the door open. Or drive your PMV gently and slowly rearwards to pull the door open.

II. SAFETY

ELEVATORS

Modern elevators have a door edge safety mechanism that, when pushed, reopens the door(s).

- If you are in the doorway of an elevator when the door(s) begin to close, push on the rubber door edge or allow the rubber door edge to contact the PMV and the door will reopen.
- Use care that pocketbooks, packages, or PMV accessories do not become caught in elevator doors.

LIFT/ELEVATION PRODUCTS

If you will be traveling with your PMV, you may find it necessary to use a lift/elevation product to aid in transportation. Pride recommends that you closely review the instructions, specifications, and safety information set forth by the manufacturer of the lift/elevation product before using that product.

NOTE: *If your PMV's turning radius is greater than 60 in. (152.4 cm), it may be difficult to maneuver in elevators and building entrances. Use caution when attempting to turn or maneuver your PMV in small spaces, and avoid areas that might pose a problem.*



WARNING! Never sit on your PMV when it is being used in connection with any type of lift/elevation product. Your PMV was not designed with such use in mind, and any damage or injury incurred from such use is not the responsibility of Pride.

BATTERIES

In addition to following the warnings below, be sure to comply with all other battery handling information.



MANDATORY! PMV batteries are heavy. See specifications table. If you are unable to lift that much weight, be sure to get help. Use proper lifting techniques and avoid lifting beyond your capacity.

WARNING! Battery posts, terminals, and related accessories contain lead and lead compounds. Wear goggles and gloves when handling batteries and wash hands after handling.

WARNING! Always protect the batteries from freezing and never charge a frozen battery. Charging a frozen battery may result in damage to the battery.



WARNING! Connect the battery harnesses in the proper manner. RED (+) cables must be connected to positive (+) battery terminals/posts. BLACK (-) cables must be connected to negative (-) battery terminals/posts. Failure to connect your battery harnesses in the proper manner may result in personal injury and/or damage to your PMV. REPLACE cables immediately if damaged.

BATTERY DISPOSAL AND RECYCLING

If you encounter a damaged or cracked battery, immediately enclose it in a plastic bag. Contact your local waste disposal agency or your authorized Pride Provider for instructions on disposal and battery recycling, which is our recommended course of action.

PREVENTING UNINTENDED MOVEMENT



WARNING! If you anticipate being seated in a stationary position for an extended period of time, turn off the power. This will prevent unexpected motion from inadvertent throttle control lever contact.

II. SAFETY

MOTOR VEHICLE TRANSPORT

Pride recommends that you do not remain seated in your PMV while traveling in a motor vehicle. The PMV should be stowed in the trunk of a car or in the back of a truck or van with batteries removed and properly secured. In addition, all removable PMV parts, including the armrests, seat, and shroud should be removed and/or properly secured during motor vehicle transport.

WARNING! Although your PMV may be equipped with a positioning belt, this belt is not designed to provide proper restraint during motor vehicle transport. Anyone traveling in a motor vehicle should be properly secured in the motor vehicle seat with safety belts fastened securely.



WARNING! Do not sit on your PMV while it is in a moving vehicle.

WARNING! Always be sure your PMV and its batteries are properly secured when it is being transported. Batteries should be secured in an upright position and protective caps should be installed on the battery terminals. Batteries should not be transported with any flammable or combustible items.

GETTING ONTO AND OFF OF YOUR PMV

Getting onto and off of your PMV requires a good sense of balance. Please observe the following safety tips when getting onto and off of your PMV:

- Remove the key from the key switch.
- Ensure that your PMV is not in freewheel mode. See III. “Your PMV.”
- Make certain that the seat is secured into place.
- Pivot the armrests up to make getting onto and off of the PMV easier.

WARNING! Position yourself as far back as possible in the PMV seat to prevent the PMV from tipping.



WARNING! Avoid putting all your weight on the PMV armrests and do not use the armrests for weight bearing purposes, such as transfers. Such use may cause the PMV to tip, resulting in a fall from the PMV and personal injury.

WARNING! Avoid putting all of your weight on the floorboard. Such use may cause the PMV to tip.

REACHING AND BENDING

Avoid reaching or bending while driving your PMV. When reaching, bending, or leaning while seated on your PMV, it is important to maintain a stable center of gravity and keep the PMV from tipping. Pride recommends that the PMV user determine his/her personal limitations and practice bending and reaching in the presence of a qualified healthcare professional.



WARNING! Do not bend, lean, or reach for objects if you have to pick them up from the PMV deck or from either side of the PMV. Movements such as these may change your center of gravity and the weight distribution of the PMV and cause your PMV to tip.



PROHIBITED! Keep your hands away from the drive tires when driving. Be aware that loose fitting clothing can become caught in drive tires.

II. SAFETY

POSITIONING BELTS

Your authorized Pride Provider, therapist(s), and other healthcare professionals are responsible for determining your requirement for a positioning belt in order to operate your PMV safely.



WARNING! If you require a positioning belt to safely operate your PMV, make sure it is fastened securely.

PRESCRIPTION DRUGS/PHYSICAL LIMITATIONS

The PMV user must exercise care and common sense when operating his/her PMV. This includes awareness of safety issues when taking prescribed or over-the-counter drugs or when the user has specific physical limitations.



WARNING! Consult your physician if you are taking prescribed or over-the-counter medication or if you have certain physical limitations. Some medications and limitations may impair your ability to operate your PMV in a safe manner.

ALCOHOL/SMOKING

The PMV user must exercise care and common sense when operating his/her PMV. This includes awareness of safety issues while under the influence of alcohol or while smoking.

WARNING! Do not operate your PMV while you are under the influence of alcohol, as this may impair your ability to drive safely.



WARNING! Pride strongly recommends that you do not smoke cigarettes while seated in your PMV, although the PMV has passed the necessary testing requirements for cigarette smoking. You must adhere to the following safety guidelines if you decide to smoke cigarettes while seated in your PMV.

- Do not leave lit cigarettes unattended.
- Keep ashtrays a safe distance from the seat cushions.
- Always make sure cigarettes are completely extinguished before disposal.

II. SAFETY

ELECTROMAGNETIC AND RADIO FREQUENCY INTERFERENCE (EMI/RFI)



WARNING! Laboratory tests have shown that electromagnetic and radio frequency waves can have an adverse affect on the performance of electrically-powered mobility vehicles.

Electromagnetic and Radio Frequency Interference can come from sources such as cellular phones, mobile two-way radios (such as walkie-talkies), radio stations, TV stations, amateur radio (HAM) transmitters, wireless computer links, microwave signals, paging transmitters, and medium-range mobile transceivers used by emergency vehicles. In some cases, these waves can cause unintended movement or damage to the control system. Every electrically-powered mobility vehicle has an immunity (or resistance) to EMI. The higher the immunity level, the greater the protection against EMI. This product has been tested and has passed at an immunity level of 20 V/M.



WARNING! Be aware that cell phones, two-way radios, laptops, and other types of radio transmitters may cause unintended movement of your electrically-powered mobility vehicle due to EMI. Exercise caution when using any of these items while operating your mobility vehicle and avoid coming into close proximity of radio and TV stations.



WARNING! The addition of accessories or components to the electrically-powered mobility vehicle can increase the susceptibility of the vehicle to EMI. Do not modify your PMV in any way not authorized by Pride.

WARNING! The electrically-powered mobility vehicle itself can disturb the performance of other electrical devices located nearby, such as alarm systems.

NOTE: For further information on EMI/RFI, visit the Resource Center on www.pridemobility.com. If unintended motion or brake release occurs, turn your PMV off as soon as it is safe to do so. Contact your authorized Pride Provider to report the incident.

III. YOUR PMV

CONTROL CONSOLE ASSEMBLY



PROHIBITED! Do not expose the control console assembly to moisture. In the event that the control console assembly does become exposed to moisture, do not attempt to operate your PMV until the control console assembly has dried thoroughly.

The control console assembly, located on the front section, houses all of the controls you need to operate your PMV, including the speed adjustment dial, throttle control lever, battery condition meter, horn button, and key switch. See figure 5.

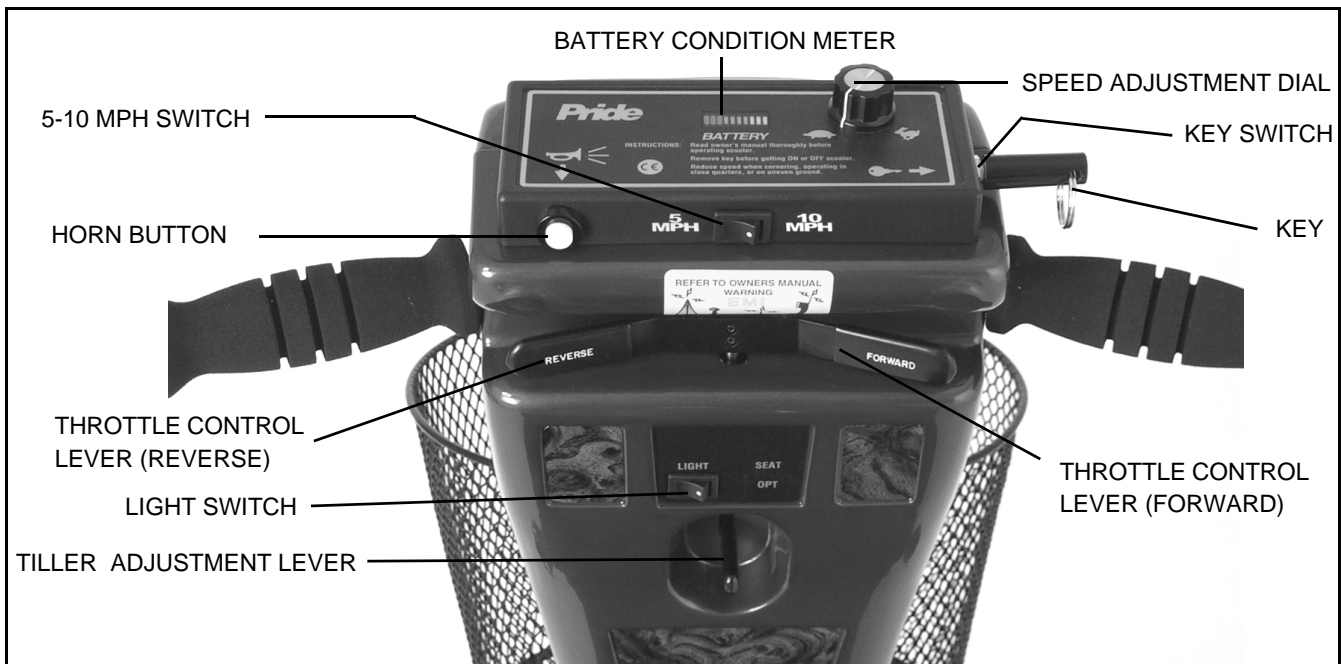


Figure 5. Control Console Assembly

KEY SWITCH

- Fully insert the key into the key switch to power up your PMV.
- Pull the key out to power down your PMV.



WARNING! If the key is removed from the key switch while your PMV is in motion, the electronic brakes will engage and your PMV will come to an abrupt stop!

Tiller Adjustment Lever

This lever allows you to adjust the tiller between four different positions. For tiller adjustment instructions, see VI. “Comfort Adjustments.”

Horn Button

This button activates a warning horn. Your PMV must be powered up for the horn to be operational. Do not hesitate to use the warning horn when doing so may prevent accident or injury.

III. YOUR PMV

Battery Condition Meter

When the key is fully inserted into the key switch, this meter indicates the approximate battery voltage strength. For further information on battery charging, see IV. “Batteries and Charging.”

5-10 MPH Switch

This switch limits the top speed of your PMV to either 5 mph (8 km/h) or 10 mph (16 km/h). Toggle this switch to either 5 mph (8 km/h) or 10 mph (16 km/h).

NOTE: When driving indoors, it is recommended you set the switch to 5 mph (8 km/h).

Light Switch

This switch turns your PMV’s headlight on and off.

- Toggle this switch to the right to turn the light on.
- Toggle this switch to the left to turn the light off.

Throttle Control Lever

This lever allows you to control the forward speed and the reverse speed of your PMV up to the maximum speed you preset with the speed adjustment dial.

- Place your right hand on the right handgrip and your left hand on the left handgrip.
- Use your right thumb to push the right side of the lever to disengage the PMV brakes and move forward.
- Release the lever and allow your PMV to come to a complete stop before pushing the left side of the lever to move in reverse.
- When the throttle control lever is completely released, it automatically returns to the center “stop” position and engages the PMV brake.

REAR SECTION

The electronic controller module, batteries, main circuit breaker, power charger cord, freewheel levers, and the motor assemblies are located on the rear section of your PMV. See figures 6 and 6A.

Batteries

The batteries store the electrical energy that powers your PMV. See IV. “Batteries and Charging” for information on how to charge your PMV’s batteries.

Electronic Controller Module (Not Shown)

This module is located on the PMV’s rear section, under the utility tray cover. The controller assembly receives electrical signals from the console controls and sends power to the motor, the brakes, and the lighting system.

NOTE: Only authorized Pride service personnel should ever remove the utility tray cover.



PROHIBITED! Do not expose the electronic controller module to moisture. If it does become exposed to moisture, do not attempt to operate your PMV until it has dried thoroughly.

III. YOUR PMV

Main Circuit Breaker (Reset Button)

When the voltage in your PMV's batteries becomes low or your PMV is heavily strained because of excessive loads, the main circuit breaker may trip to protect your PMV's motor and electronics from damage. See figure 6.

- The main circuit breaker is mounted between the two batteries.
- When the breaker trips, the entire electrical system of your PMV is shut down.
- The main circuit breaker is designed to manually reset after one minute.
- If the breaker trips frequently, you may need to charge your batteries more often or have your Pride Provider perform a load test on your PMV's batteries.
- If the main circuit breaker trips repeatedly, see your authorized Pride Provider for service.



Figure 6. Rear Section

Battery Charger

The PMV comes with its own onboard battery charger. When the charger is plugged into an electrical outlet, it charges the PMV's batteries. See IV. "Batteries and Charging."

Manual Freewheel Levers

Whenever you want to push your PMV for short distances, you can put it in manual freewheel mode. The manual freewheel levers are located on the end of the motors at the rear of the PMV. See figure 6A.

1. Remove the key from the key switch.
2. Push down on both manual freewheel levers to disable the drive and the brake systems. This will enable you to push the PMV.
3. Pull up on both manual freewheel levers to reengage the drive and the brake systems and take your PMV out of freewheel mode.



WARNING! When your PMV is in freewheel mode, the braking system is disengaged.

- Disengage the drive motors only on a level surface.
- Ensure the key is removed from the key switch.
- Stand to the side of the PMV to engage or disengage freewheel mode. Never sit on a PMV to do this.
- After you have finished pushing your PMV, always return it to the drive mode to lock the brakes.

III. YOUR PMV

Charger Power Cord

The charger power cord is connected to the PMV's onboard battery charger. When plugged into an electrical outlet, it will charge the PMV's batteries.

Motor Assembly

The motor assembly is an electromechanical unit that converts electrical energy from your PMV's batteries into the controlled mechanical energy that drives the PMV's wheels.

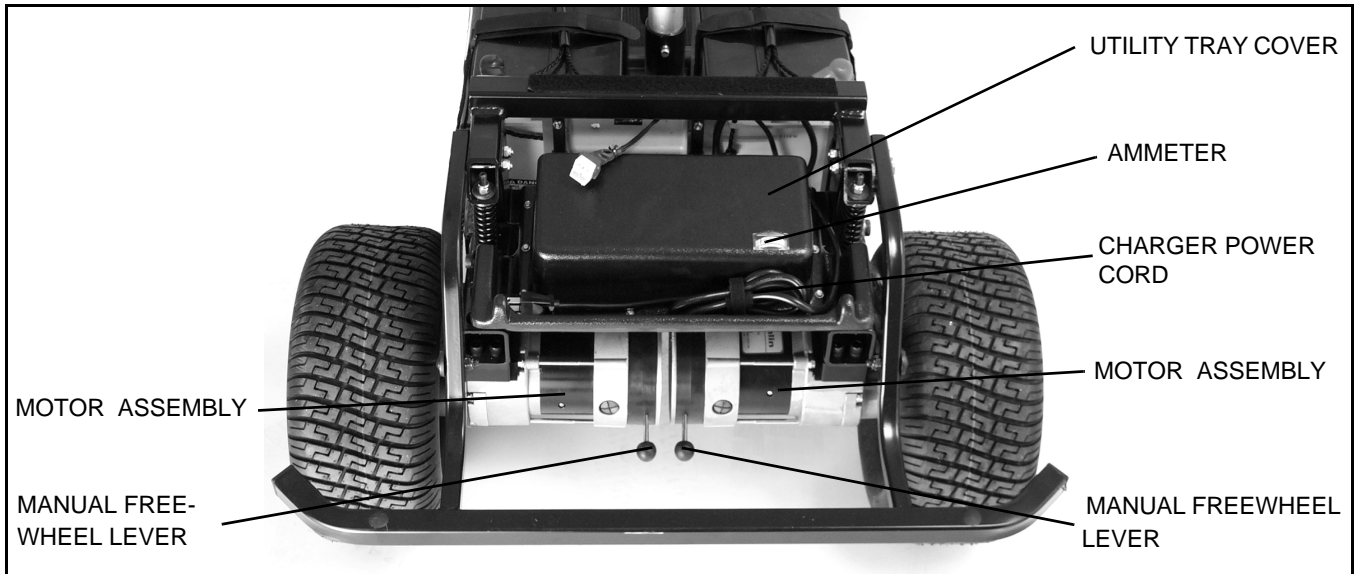


Figure 6A. Rear Section

IV. BATTERIES AND CHARGING

BATTERIES AND CHARGING

Your PMV requires two long-lasting, 12-volt, deep-cycle batteries that are sealed and maintenance free. Recharge the batteries with the convenient onboard battery charger.

- Charge your PMV's batteries prior to using for the first time.
- Keep your batteries fully charged to keep your PMV running smoothly.

NOTE: Use only the onboard battery charger supplied with your PMV.

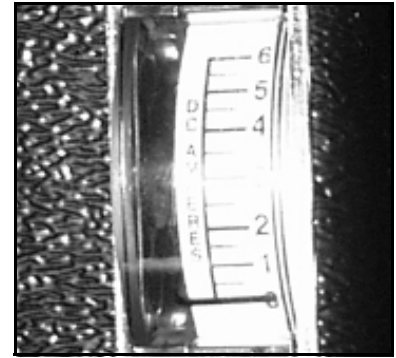


Figure 7. Ammeter

READING YOUR BATTERY VOLTAGE

The battery condition meter on the control console assembly indicates the approximate strength of your batteries. (The meter reads 24 volts when your batteries are fully charged.) To check the charge, you must first unplug the onboard battery charger and insert the key into the key switch. To ensure the highest accuracy, the battery condition meter should be checked while operating your PMV at full speed on a level surface.

You can also use the ammeter to check your batteries' charge. The ammeter is located on the utility tray under the rear shroud. See figure 7. The amperage reading should be at or near zero (0) when the batteries are fully charged. The battery charger must be plugged into a standard electrical outlet to obtain an ammeter reading.

CHARGING YOUR BATTERIES



PROHIBITED! Removal of grounding prong can create electrical hazard. If necessary, properly install an approved 3-pronged adapter to an electrical outlet having 2-pronged plug access.



PROHIBITED! Never use an extension cord to plug in your battery charger. Plug the charger directly into a properly wired standard electrical outlet.



PROHIBITED! Do not allow unsupervised children to play near the PMV while the batteries are charging. Pride recommends that you do not charge the batteries while the PMV is occupied.



MANDATORY! Read the battery charging instructions in this manual and in the manual supplied with the battery charger before charging the batteries.



WARNING! Explosive gases may be generated while charging the batteries. Keep the PMV and battery charger away from sources of ignition such as flames or sparks and provide adequate ventilation when charging the batteries.

WARNING! Inspect the battery charger, wiring, and connectors for damage before each use. Contact your authorized Pride Provider if damage is found.



WARNING! Do not attempt to open the battery charger case. If the battery charger does not appear to be working correctly, contact your authorized Pride Provider.

WARNING! If the battery charger is equipped with cooling slots, then do not attempt to insert objects through these slots.

IV. BATTERIES AND CHARGING



WARNING! If your battery charger has not been tested and approved for outdoor use, then do not expose it to adverse or extreme weather conditions. If the battery charger is exposed to adverse or extreme weather conditions, then it must be allowed to adjust to the difference in environmental conditions before use indoors. Refer to the manual supplied with the battery charger for more information.

Follow these steps to safely charge your batteries:

1. Position your PMV close to a standard electrical outlet.
2. Remove the key from the key switch.
3. Ensure both freewheel levers are in the drive position.
4. Extend the charger power cord (see **figure 6A**) and plug it into the electrical outlet. We recommend you charge your PMV's batteries for 8 to 14 hours.
5. When the batteries are fully charged (indicated by the ammeter reading 0), unplug the onboard charger power cord from the electrical outlet.

There are two LED indicators (red and green) on the front of the battery charger.

- When lit, the red LED indicates that the batteries are being charged.
- When lit, the green LED indicates that the batteries are fully charged.
- When the green and red LEDs are simultaneously lit, it indicates charging is nearly complete.

NOTE: There is a charger inhibit on your PMV. Your PMV does not run and the battery condition meter does not operate while the batteries are charging.

FREQUENTLY ASKED QUESTIONS (FAQs)

How does the charger work?

When your PMV's battery voltage is low, the charger works harder and sends more electrical current to the batteries to bring up their charge. As the voltage of the batteries approaches a full charge, the charger sends less electrical current to the batteries. When the batteries are fully charged, the current sent to them from the charger is at nearly zero amperage. Therefore, when the charger is plugged in, it maintains the charge on your PMV's batteries but does not overcharge them. Refer to the manual supplied with the battery charger for charging instructions.

Can I use a different charger?

For the safest, most efficient, and balanced charging of your PMV's batteries, you should simultaneously charge both batteries using only the manufacturer-supplied onboard battery charger.

How often must I charge the batteries?

Two major factors must be considered when deciding how often to charge your PMV's batteries:

- All day PMV use on a daily basis.
- Infrequent or sporadic PMV use.

IV. BATTERIES AND CHARGING

With these considerations in mind, you can determine just how often and for how long you should charge your PMV's batteries. We designed the onboard charger so that it does not overcharge your PMV's batteries; however, you may encounter some problems if you do not charge your batteries often enough and if you do not charge them on a regular basis. Following the guidelines below will provide safe and reliable battery operation and charging:

- If you use your PMV daily, charge its batteries as soon as you finish using it for the day. Your PMV will be ready each morning to give you a "full day" of service. We recommend you charge your PMV's batteries for 8 to 14 hours after daily use.
- If you use your PMV once a week or less, charge its batteries at least once a week for 12 to 14 hours at a time.
- Keep your PMV's batteries fully charged.
- Avoid deeply discharging your PMV's batteries.
- Do not charge your PMV's batteries for more than 24 consecutive hours.

What if my PMV doesn't arrive with batteries?

If your PMV does not come with batteries already installed from Pride, you have chosen to purchase the batteries separately. Carefully follow the instructions below for proper wire placement and battery installation.

To install the batteries in your PMV:

1. Remove the seat and rear shroud from the PMV.
2. Place the batteries into the battery wells with the terminals facing away from the seat post. Be sure that the positive (+) terminal of the left side battery and the negative (-) terminal of the right side battery are facing forward. **See figure 8.**
3. Connect the main circuit breaker to the front battery terminals.
4. Connect the rear black cable to the negative (-) battery terminal.
5. Connect the rear red cable to the positive (+) battery terminal.
6. Fasten the battery tie-down straps.
7. Reinstall the rear shroud and seat.

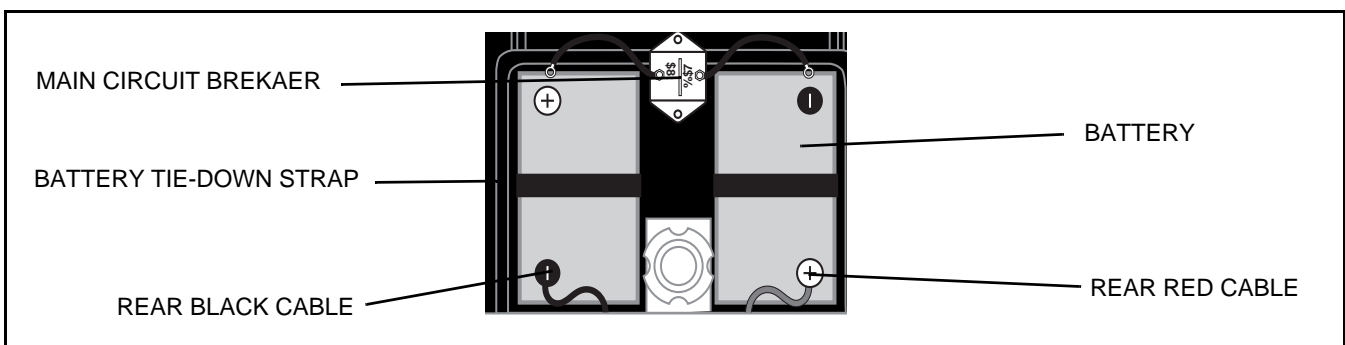


Figure 8. Placing and Removing Batteries

IV. BATTERIES AND CHARGING

To remove the batteries:

1. Remove the seat and rear shroud.
2. Disconnect all the cables from the battery terminals.
3. Unfasten the battery tie-down straps.
4. Remove the batteries.

How can I get maximum range or distance per charge?

Rarely will you have ideal driving conditions - smooth, flat, hard driving surfaces with no wind or curves. You will often face hills, sidewalk cracks, uneven and loosely packed surfaces, curves, and wind. All of these driving conditions affect the distance or running time per battery charge. Below are a few suggestions for obtaining the maximum range per battery charge.

- Always fully charge your PMV's batteries prior to your daily use.
- Maintain but do not exceed the psi/bar/kPa air pressure rating indicated on each tire.
- Plan your route ahead to avoid as many hills, cracked, broken, or soft surfaces as possible.
- Limit your baggage weight to essential items.
- Try to maintain an even speed while your PMV is in motion.
- Avoid stop-and-go driving.

What type and size of battery should I use?

We recommend deep-cycle batteries that are sealed and maintenance free. Both AGM and Gel-Cell are deep-cycle batteries that are similar in performance in your PMV. Do not use wet-cell batteries, which have removable caps.



WARNING! Corrosive chemicals are contained in batteries. Use only AGM or Gel-Cell batteries to reduce the risk of leakage or explosive conditions.

NOTE: *Sealed batteries are not serviceable. Do not remove the caps.*

Why do my new batteries seem weak?

Deep-cycle batteries employ a different chemical technology than that used in car batteries, nickel-cadmium batteries (nicads), or in other common battery types. Deep-cycle batteries are specifically designed to provide power, drain down their charge, and then accept a relatively quick recharge.

We work closely with our battery manufacturer to provide batteries that best suit your PMV's specific electrical demands. Fresh batteries arrive daily at Pride and are shipped fully charged to our customers. During shipping, the batteries may encounter temperature extremes that may influence their initial performance. Heat diminishes the charge on the battery; cold slows the available power and extends the time needed to recharge the battery.

It may take a few days for the temperature of your PMV's batteries to stabilize and adjust to their new room or ambient temperature. More importantly, it takes a few charging cycles (a partial drain followed by a full recharge) to establish the critical chemical balance that is essential to a deep-cycle battery's peak performance and long life.

IV. BATTERIES AND CHARGING

Please follow these steps to properly break in your PMV's new batteries for maximum efficiency and service life:

1. Fully recharge any new battery prior to its initial use. This initial charging cycle brings the batteries up to about 88% of their peak performance level.
2. Operate your new PMV in familiar and safe areas. Drive slowly at first, and do not travel too far from your home or familiar surroundings until you have become accustomed to your PMV's controls and have properly broken in your PMV's batteries.
3. Fully recharge the batteries. This recharge should bring the batteries up to about 90% of their peak performance level.
4. Operate your PMV again.
5. Fully recharge the batteries again.
6. After four or five charging cycles, the batteries are able to receive a charge of 100% of their peak performance level and are able to last for an extended period of time.

How can I ensure maximum battery life?

Fully charged deep-cycle batteries provide reliable performance and extended battery service life. Keep your PMV's batteries fully charged whenever possible. Batteries that are deeply discharged, infrequently charged, or stored without a full charge may be permanently damaged and cause unreliable performance and limited service life.

For prolonged storage, you may wish to place several boards under the frame of your PMV to raise it off the ground and take the weight off the tires. This reduces the possibility of flat spots developing on the areas of the tires contacting the ground.

What about public transportation?

If you intend to use public transportation while using your PMV, you must contact the transportation Provider in advance to determine their specific requirements.

V. OPERATION

BEFORE GETTING ONTO YOUR PMV

- Have you fully charged the batteries? See IV. “Batteries and Charging.”
- Are the manual freewheel levers in the drive position? See III. “Your PMV.” Never leave the freewheel levers pushed down unless you are manually pushing your PMV.

GETTING ONTO YOUR PMV

1. Make certain that the key is removed from the key switch.



WARNING! Never attempt to get onto or off of your PMV without first removing the key from the key switch. This will prevent the PMV from moving if accidental throttle control lever contact is made.

2. Stand at the side of your PMV.
3. Push down on the seat rotation lever to disengage the seat and rotate the seat until it faces you; release the seat rotation lever to secure the seat in place.
4. Position yourself comfortably and securely in the seat.
5. Push down on the seat rotation lever and rotate the seat until you face forward; release the seat rotation lever to secure the seat in place.
6. Make certain that your feet are safely on the floorboard.

PRE-RIDE ADJUSTMENTS AND CHECKS

- Are you positioned comfortably in the seat?
- Is the seat at the proper height? See VI. “Comfort Adjustments.”
- Is the seat fixed securely in place? See VI. “Comfort Adjustments.”
- Is the tiller at a comfortable setting and locked securely in place? See VI. “Comfort Adjustments.”
- Is the key fully inserted into the key switch? See III. “Your PMV.”
- Does your PMV’s horn work properly?
- Is your proposed path clear of people, pets, and obstacles?
- Have you planned your route to avoid adverse terrain and as many inclines as possible?

OPERATING YOUR PMV



WARNING! The following can adversely affect steering and stability while operating your PMV, resulting in loss of control, tipping, and/or personal injury:

- **Holding onto or attaching a leash to walk your pet**
 - **Carrying passengers (including pets)**
 - **Hanging any article from the tiller**
 - **Towing or being pushed by another motorized vehicle**
-
- Set the 5-10 mph switch to your desired maximum speed of 5 or 10 mph (8 or 16 km/h); then set the speed adjustment dial to your desired speed. We recommend you initially set the 5-10 mph switch to 5 mph (8 km/h) and the speed adjustment dial to the tortoise (slowest speed setting).
 - Insert the key into the key switch.
 - With your hands on the handgrips, use your thumb to gently push the right side of the throttle control lever to disengage the brakes and move forward; the electronic brake automatically disengages and the PMV accelerates smoothly to the speed you set with the speed adjustment dial.

V. OPERATION

- Pull on the left handgrip to steer your PMV to the left, or pull on the right handgrip to steer your PMV to the right.
- Move the tiller to the center position to drive straight ahead.
- Gently release the throttle control lever to decelerate and come to a complete stop. The electronic brake automatically engages when your PMV comes to a stop.
- To move in reverse, use your thumb to gently push the left side of the throttle control lever to disengage your PMV's brakes and move rearward.

NOTE: Your PMV's reverse speed is slower than the speed you set with the speed adjustment dial and the 5-10 mph switch.

GETTING OFF OF YOUR PMV

1. Bring your PMV to a complete stop.
2. Remove the key from the key switch.
3. Push down on the seat rotation lever to disengage the seat and rotate the seat until you are facing toward the side of your PMV; release the seat rotation lever to secure the seat in place.
4. Carefully and safely get out of the seat and stand to the side of your PMV.
5. You can leave the seat facing to the side to facilitate boarding your PMV next time.

POWER DOWN TIMER FEATURE

Your PMV is equipped with an energy saving power down timer feature that is designed to preserve your PMV's battery life. If you mistakenly leave the key in your PMV but do not use the PMV for approximately 20 minutes, the PMV automatically shuts down.

If your PMV power down timer feature takes effect, perform the following steps to resume normal operation:

- Remove the key from the key switch.
- Reinsert the key to power up your PMV.

VI. COMFORT ADJUSTMENTS

TILLER ANGLE ADJUSTMENT



WARNING! Remove the key from the key switch before adjusting the tiller or the seat. Never attempt to adjust the tiller or the seat while the PMV is in motion.

You can adjust the tiller angle to four different positions.

1. Pull up on the tiller adjustment lever. See figure 9.
2. Move the tiller to a comfortable position.
3. Release the tiller adjustment lever. The tiller will remain in that position.

NOTE: In order to lower the tiller to its lowest position, you must first remove the seat and both batteries.

SEAT HEIGHT ADJUSTMENT

Your PMV's seat can be repositioned to one of three different heights.

1. Remove the seat from your PMV. See figure 10.
2. Use the attached ring to pull and remove the ball detent pin from the lower seat post. See figure 11.
3. Raise or lower the upper seat post to the desired seat height.
4. While holding the upper seat post at that height, match up the holes in the upper seat post and the lower seat post.
5. Fully insert the ball detent pin.
6. Replace the seat.



Figure 9. Tiller Adjustment Lever



Figure 10. Seat Removal

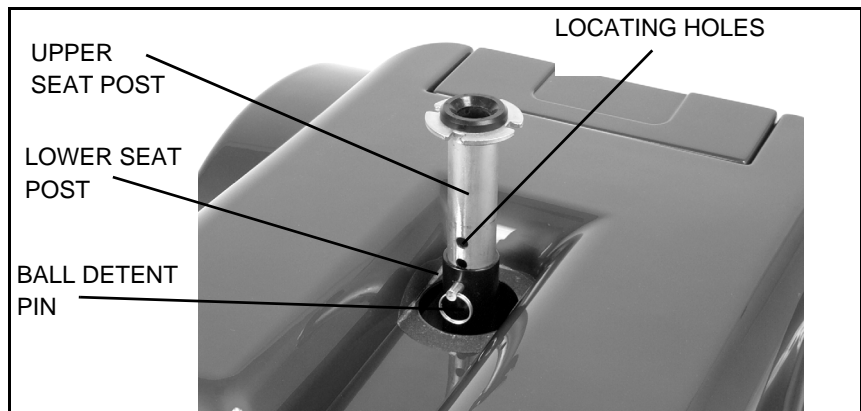


Figure 11. Seat Height Adjustment

VI. COMFORT ADJUSTMENTS

HIGH-BACK SEAT HEADREST ADJUSTMENT

If your PMV is equipped with a high-back seat, the headrest height can be adjusted to several positions.

1. Pulling up on the headrest will raise its position. See **figure 12**.
2. Pushing down on the headrest will lower its position.
3. Pulling the headrest forward or pushing it backward will adjust it to several positions.

SEATBACK ADJUSTMENT

To adjust your PMV's reclining seat, perform these steps (see **figure 12**):

1. While pulling up on the seatback adjustment lever, lean forward or backward to adjust the seatback.
2. Release the seatback adjustment lever once the seat is in a comfortable riding position.



WARNING! Always keep your back pressed firmly against the seatback while adjusting the angle.

WARNING! Do not operate the PMV with the seat in the reclined position.

LUMBAR SUPPORT ADJUSTMENT DIAL

The lumbar support is inside the lower part of the seatback. Turn the lumbar support adjustment dial counterclockwise to move the support into a comfortable position. See **figure 12**.

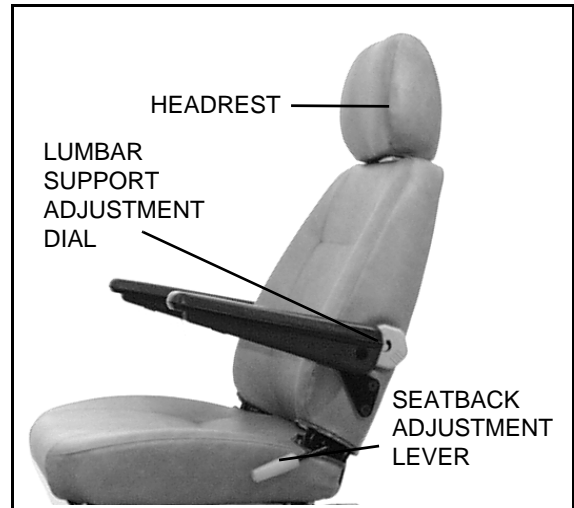


Figure 12. Seatback and Headrest Adjustments

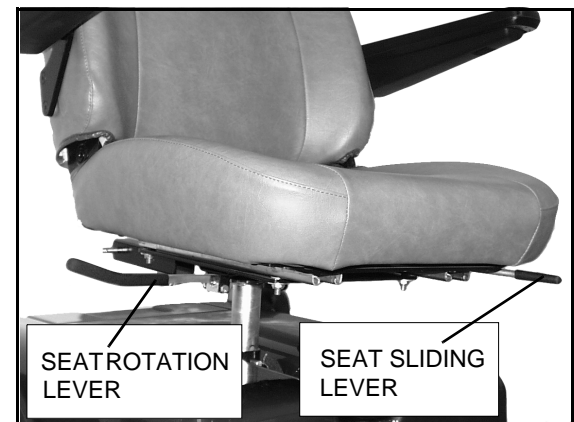


Figure 13. Sliding Seat Adjustment

FRONT-TO-BACK SEAT ADJUSTMENT

You can reposition the PMV's seat forward or rearward to adjust the distance between the seat and the tiller. See **figure 13**.

1. Pull up on the seat sliding lever.
2. While holding the lever up, slide the seat forward or rearward.
3. Release the seat sliding lever once the seat is in the desired position.

SEAT ROTATION ADJUSTMENT

The seat rotation lever secures the seat in one of four positions. See **figure 13**.

1. Push down on the seat rotation lever to disengage the seat.
2. Rotate the seat to the desired position.
3. Release the seat rotation lever to secure the seat in place.

VI. COMFORT ADJUSTMENTS

ARMREST ANGLE ADJUSTMENT

The armrests of your PMV can be adjusted upward or downward by turning the adjustment dial. See figure 14.

The armrests also pivot upward to make getting on and off of your PMV easier.

NOTE: *If your PMV is not equipped with a reclining high-back seat, as shown in figure 12, you will be able to adjust the height and width of the armrest by following the directions below.*



Figure 14. Armrest Angle Adjustment

ARMREST HEIGHT ADJUSTMENT

You will need the following tools to adjust the height of the armrests:

- 5/32" Hex Key
- 1/8" Hex Key
- 7/16" Wrench

1. Loosen the setscrew on the side of the height adjustment tube with the 1/8" hex key.
2. Loosen and remove the acorn nut and screw holding the height adjustment tube in place.
3. Raise or lower the height adjustment tube to the desired height.
4. Align the holes in the adjustment tube with the holes in the armrest upright.
5. Insert the screw through the holes in both the height adjustment tube and the armrest upright.
6. Install and tighten the acorn nut.
7. Tighten the setscrew on the side of the height adjustment tube.
8. Repeat for the other armrest.

ARMREST WIDTH ADJUSTMENT

The armrest width of your PMV can be adjusted inward or outward.

1. Loosen the armrest adjustment knobs at the back of the seat frame. See figures 15 and 16.
2. Slide the armrests in or out to the desired width.
3. Tighten the armrest adjustment knobs.

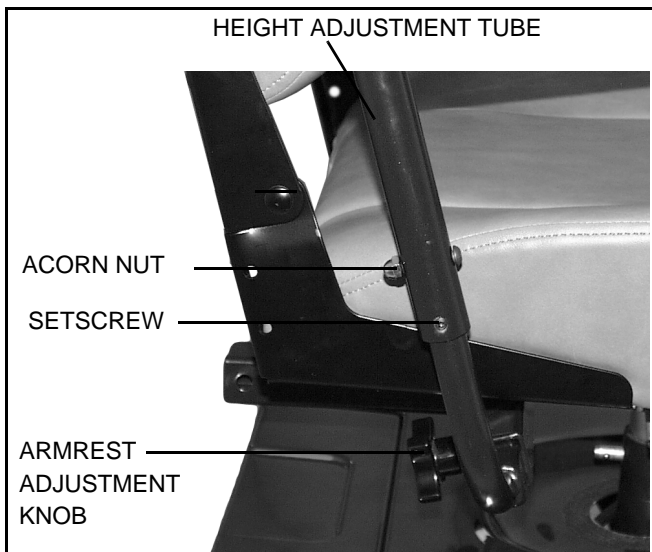


Figure 15. Armrest Height Adjustment

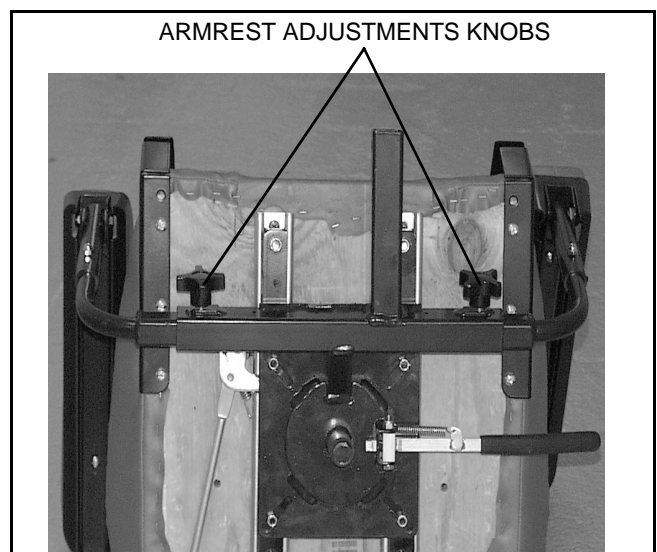


Figure 16. Armrest Adjustments

VII. DISASSEMBLY AND ASSEMBLY

DISASSEMBLY

You can disassemble the PMV into six components. See **figure 17**. No tools are required to disassemble or assemble your PMV, but keep in mind that the disassembled sections of the PMV take up more floor space than the assembled unit. Always disassemble or assemble your PMV on a level, dry surface with sufficient room for you to work and move around your PMV—about 5 feet (1.5 meters) in all directions. Remember that some PMV components are heavy and you may need assistance when lifting them.

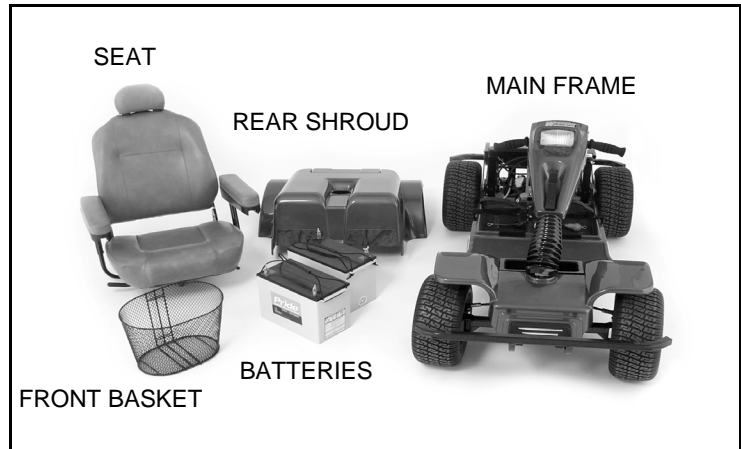


Figure 17. Wrangler Components



WARNING! Do not lift beyond your physical capability. Ask for assistance when necessary while disassembling and assembling your PMV.

Seat

To remove the PMV’s seat, see VI. “Comfort Adjustments.”

Rear Shroud

To remove the rear shroud:

1. Remove the seat from your PMV. See **figure 10**.
2. Lift the shroud up and over the seat post.

Batteries

To remove the batteries from you PMV, see IV. “Batteries and Charging.”

VIII. BASIC TROUBLESHOOTING

Any electromechanical device occasionally requires some troubleshooting. However, most of the problems that may arise can usually be solved with a bit of thought and common sense. Many of these problems occur because the batteries are not fully charged or because the batteries are worn down and can no longer hold a charge.

What if all of my PMV systems appear to be “dead?”

- Ensure the key is fully inserted in the key switch.
- Ensure the batteries are fully charged.
- Push in the main circuit breaker reset button.
- Ensure the 9-pin connector is firmly attached.
- Ensure both battery harnesses are firmly connected to the electronic controller and to the battery terminals.

What if my PMV’s battery condition meter shows a full charge, but my PMV does not move when I push the throttle control lever?

Ensure your PMV was not left in freewheel mode. (Pull up on the freewheel lever to restore normal operation.)

***NOTE:** When the freewheel lever is pushed down, your PMV’s brakes are disengaged and all power to the transaxle is cut.*

What if my PMV’s main circuit breaker trips repeatedly?

- Charge your PMV’s batteries more frequently.
- Have both of your PMV’s batteries load tested by your authorized Pride Provider.
- Obtain a battery load tester at most automotive parts stores; follow the directions supplied with the load tester.

What if my PMV’s battery condition meter dips way down and the motor surges or hesitates when I press the throttle control lever?

- Fully charge your PMV’s batteries.
- Have your authorized Pride Provider load test each battery.
- Obtain a battery load tester at most automotive parts stores; follow the directions supplied with the load tester.

If you experience any problems with your PMV that you are unable to resolve, immediately contact your authorized Pride Provider for information, maintenance, and service.

IX. CARE AND MAINTENANCE

Your PMV requires a minimal amount of care and maintenance. If you do not feel confident in your ability to perform the maintenance listed below, you may schedule inspection and maintenance at your authorized Pride Provider. The following areas require periodic inspection and/or care and maintenance.

TIRE PRESSURE

- If equipped with pneumatic tires, always maintain the psi/bar/kPa air pressure rating indicated on each tire for pneumatic tires.



WARNING! It is important that the psi/bar/kPa air pressure rating indicated on each tire be maintained in pneumatic tires at all times. Do not underinflate or overinflate your tires. Low pressure may result in loss of control, and overinflated tires may burst. Failure to maintain the psi/bar/kPa air pressure rating indicated on pneumatic tires at all times may result in tire and/or wheel failure.

- Regularly inspect your PMV's tires for signs of wear.

WHEEL REPLACEMENT

If your PMV is equipped with pneumatic tires and you have a flat tire, you can have the tube replaced. If your PMV is equipped with a solid tire insert, either the solid insert or the entire wheel must be replaced depending on the model. Contact your authorized Pride Provider for information regarding replacement wheels for your PMV.

WARNING! Wheels on your PMV should only be serviced/replaced by an authorized Pride Provider or qualified technician.



WARNING! Completely deflate pneumatic tires before dismantling the rim or attempting repair.

WARNING! When changing a tire, remove only the center lug nut, then remove the wheel. If any further disassembly is required, deflate the tire completely or it may explode.

EXTERIOR SURFACES

Bumpers, tires, trim, and the tiller boot can benefit from an occasional application of rubber or vinyl conditioner.



WARNING! Do not use a rubber or vinyl conditioner on the PMV's vinyl seat, floorboard, or tire tread, as this may cause them to become dangerously slippery.

BATTERY TERMINAL CONNECTIONS

- Make certain that the terminal connections remain tight and uncorroded.
- The batteries must sit flat in the battery wells.
- The battery terminals should face the rear of the PMV.

ABS PLASTIC SHROUDS

- The front tiller shroud, front shroud, and the rear shroud are formed from durable ABS plastic and are coated with an advanced formula urethane paint.
- A light application of car wax will help the shrouds retain their high gloss.

AXLE BEARINGS AND THE MOTOR/TRANSAXLE ASSEMBLY

These items are all prelubricated, sealed, and require no subsequent lubrication.

IX. CARE AND MAINTENANCE

WIRING HARNESSES

- Regularly check all wiring connections.
- Regularly check all wiring insulation, including the charger power cord, for wear or damage.
- Have your authorized Pride Provider repair or replace any damaged connector, connection, or insulation that you find before using your PMV again.



PROHIBITED! Even though the PMV has passed the necessary testing requirements for ingress of liquids, you should keep electrical connections away from sources of dampness, including direct exposure to water or bodily fluids and incontinence. Check electrical components frequently for signs of corrosion and replace as necessary.

MOTOR BRUSHES

The motor brushes are housed inside of the motor transaxle/assembly. They should be inspected periodically for wear by your authorized Pride Provider.

CONSOLE, CHARGER, AND REAR ELECTRONICS

- Keep these areas free of moisture.
- Allow these areas to dry thoroughly if they have been exposed to moisture before operating your PMV again.

FUSE REPLACEMENT

In the event a fuse should cease to work:

1. Remove the fuse by pulling it out of its slot.
2. Examine the fuse to be sure it is blown. See figures 18 and 18A.
3. Insert a new fuse of the same rating.



WARNING! The replacement fuse must exactly match the rating of the fuse being replaced. Failure to use properly rated fuses may cause damage to the electrical system.

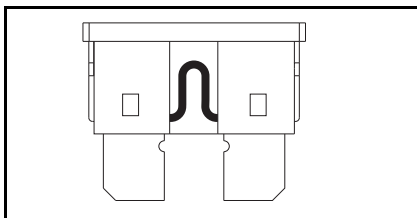


Figure 18. Working Fuse

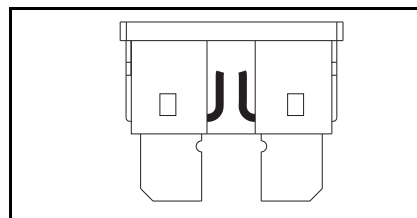


Figure 18A. Blown Fuse (Replace)

NYLON LOCK NUT REPLACEMENT

Any nylon insert lock nut removed during the periodic maintenance, assembly, or disassembly of the PMV must be replaced with a new nut. Nylon insert lock nuts should not be reused as it may cause damage to the nylon insert, resulting in a less secure fit. Replacement nylon insert lock nuts are available at local hardware stores or through your authorized Pride Provider.

IX. CARE AND MAINTENANCE

STORING YOUR PMV

If you plan on not using your PMV for an extended period of time, it is best to:

1. Fully charge its batteries prior to storage.
2. Disconnect the batteries from the PMV.
3. Store your PMV in a warm, dry environment.
4. Avoid storing your PMV where it will be exposed to temperature extremes.



WARNING! Always protect batteries from freezing temperatures and never charge a frozen battery. Charging a frozen battery can result in damage to the battery.

Batteries that are regularly and deeply discharged, infrequently charged, stored in extreme temperatures, or stored without a full charge may be permanently damaged, causing unreliable performance and limited service life. It is recommended that you charge the PMV batteries periodically throughout periods of prolonged storage to ensure proper performance.

You may wish to place several boards under the frame of your PMV to raise it off of the ground during periods of prolonged storage. This takes the weight off the tires and reduces the possibility of flat spots developing on the areas of the tires contacting the ground.

DISPOSAL OF YOUR PMV

Your PMV must be disposed of according to applicable local and national statutory regulations. Contact your local waste disposal agency or authorized Pride Provider for information on proper disposal of packaging, metal frame components, plastic components, electronics, and batteries.

APPENDIX I - SPECIFICATIONS

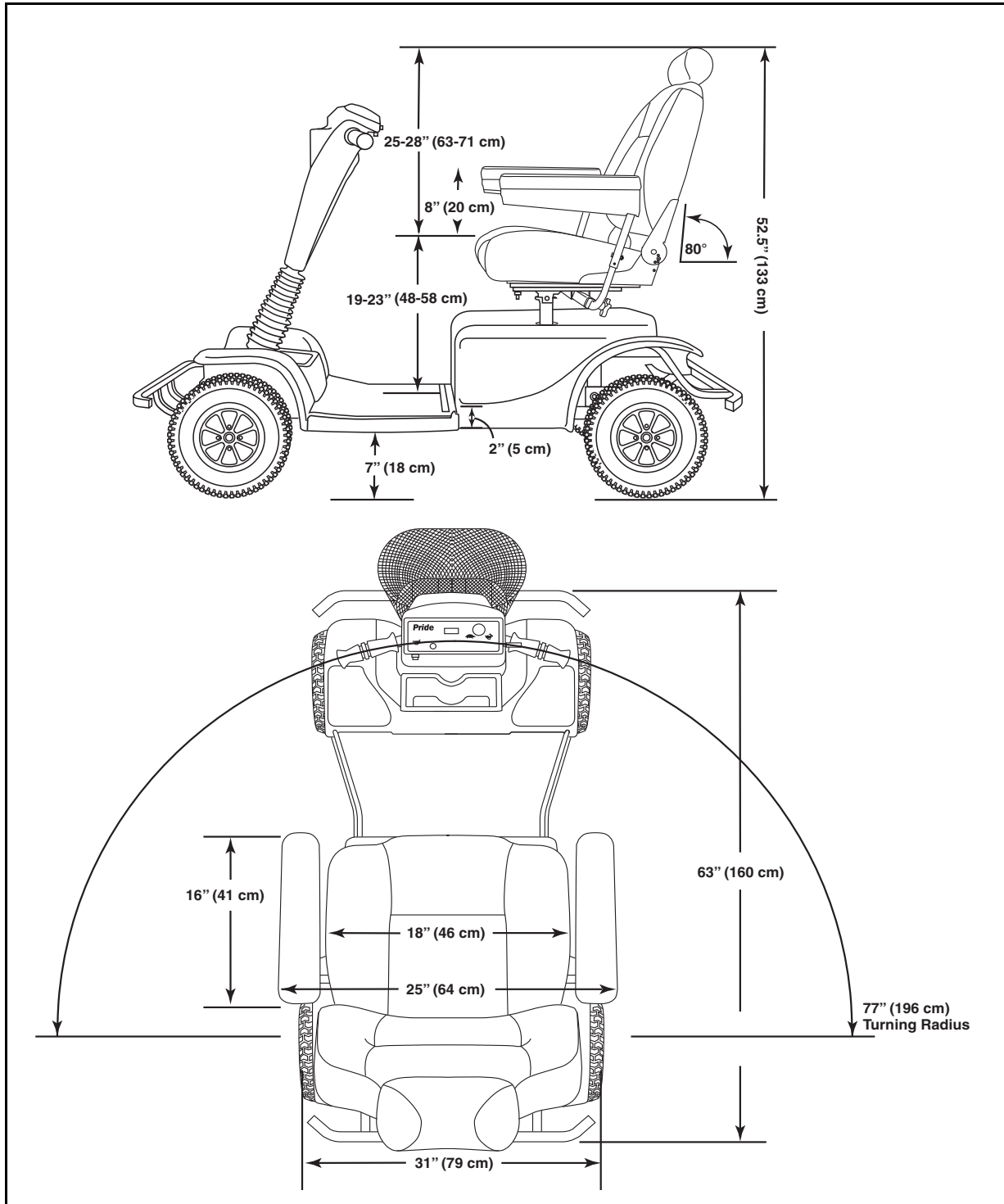


Figure 19. Wrangler Dimensions

APPENDIX I - SPECIFICATIONS

Model Numbers	PMV600
Overall Length ²	See figure 19.
Overall Width ²	See figure 19.
Tires	Type: Pneumatic Front: 6 in. x 13 in.; Rear: 6 in. x 13 in. (15 x 33 cm)
Weight Capacity	400 lbs. (181.4 kg) maximum
Battery Type ³ (not included)	Two 12V, 100AH
Horsepower	3.0 hp (peak)
Charger	Onboard 5-amp charger
Speed (Max) ¹	Variable up to 10 mph (60% reverse)
Maximum Allowable Incline	5° (8.7%)
Range ¹	Up to 30-35 miles per charge with 100Ah batteries
Turning Radius ²	See figure 19.
Body Colors	Candy Apple Red, Viper Blue
Seating	Style: High-back with headrest and sliders Dimensions: See figure 19. Seat Cover Material: Vinyl; Black, Gray, Tan, or Brown Armrests: Match seat cover material User adjustable seat height from ground: 27.75-31.75 in. (70.49-80.65 cm) User adjustable seat height from deck: See figure 19.
Brakes	Electronic regenerative braking and electromechanical disc brake
Rear Wheel Drive	2-24 VDC motors
Wheels	Aluminum alloy wheels in Black
Tiller Type	4-position adjustable
Weight	Total weight with batteries: w/two 12V, 100Ah batteries: 345 lbs. (156.4 kg) Total weight without batteries: seat and rear shroud: 216 lbs. (97.98 kg) Component Breakdown: Rear Plastic Shroud: 3.5 lbs. (1.59 kg) Seat: 37 lbs. (16.78 kg) Batteries: 63 lbs. (28.58 kg) each
Ground Clearance ²	See figure 19.

¹ Varies with user weight, terrain type, battery amp-hour (Ah), battery charge, battery condition, and tire condition. This specification can be subject to a variance of (+ or -) 10%.

² Due to manufacturing tolerances and continual product improvement, this specification can be subject to a variance of (+ or -) 3%.

³ AGM or Gel-Cell type required. See IV. "Batteries and Charging."

NOTE: This product conforms to all applicable ANSI-RESNA testing requirements and ISO 7176 Series EN12184 standards. All specifications subject to change without notice.

NOTES

NOTES

NOTES



Pride[®]
Mobility Products Corp.

*182 Susquehanna Avenue
Exeter, PA 18643*

www.pridemobility.com